

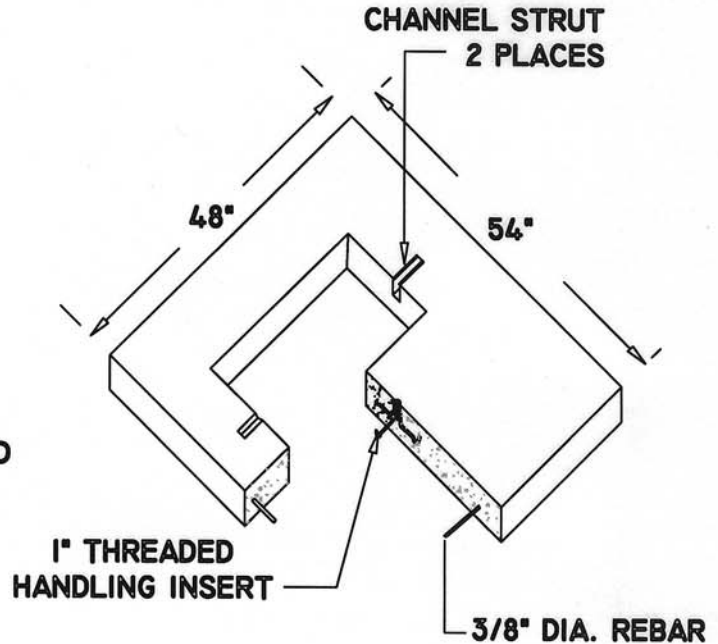
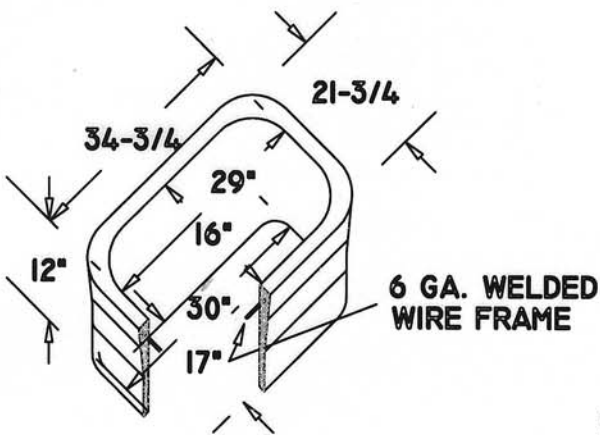
GUARD POST
SEE DETAIL

FINISHED PAD
ELEVATION

FINISHED
LOT GRADE

17" x 30" PULLBOX

SEC
DUCTS
PRIM
DUCTS
GROUND RODS
REFER TO ELECTRIC
STANDARD ED4 FOR DETAILS



ELECTRIC STANDARD

DRAWN: HV
DATE: 4-24-03
SCALE: NTS

**4'x4.5' 1Ø TRANSFORMER PAD
WITH 17"X30" PULLBOX**

APPROVED: *[Signature]*
DATE: 5-8-03

DWG. NO.
ED6
SHEET
1 OF 1